

# LAW ENFORCEMENT

SPECIALTY LOCKERS



**MONTEL®**  
The Intelligent Use of Space



# TACTICAL

LOCKERS



Tactical locker with single or double doors and 9" deep oak top bench drawer.

**Optional**  
Base drawers are lockable when main door is closed

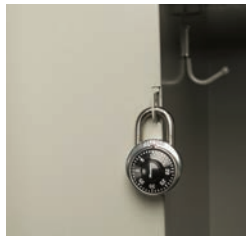
All welded tactical lockers are fabricated with piano hinged and double pan doors.

- With or without bench
- Locks are available on interior and exterior doors

Our lockers conform to the law enforcement industry requirements



Lockable compartment



Hasp for padlock



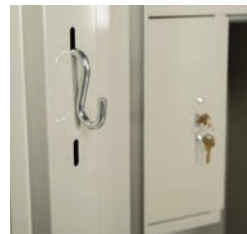
Adjustable mirror



Coat bar



hooks



Belt holder

### Optional components:

- Belt hook
- Adjustable shelves
- Hooks
- Coat bar
- Lockable compartment
- Oak top drawer 12"
- Boot tray
- Note book pocket
- Adjustable mirror
- Interior drawers
- Vest drying rack
- Electric receptacle
- Airflow style

## Tactical lockers

We have developed this new addition to our collection. A tactical double-door and double-drawer in response to your specific needs.

Custom components for every task force need



Boot tray



Coat bar with separation



Drawer with vest drying rack

# EVIDENCE

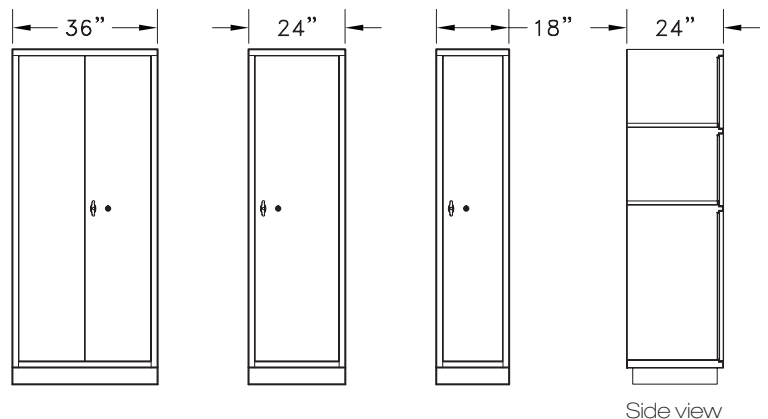
LOCKERS



We have  
been fabricating  
all-welded lockers  
and filing cabinets  
for over 40 years

## Different models for different needs

Available in pass-thru and non pass-thru models,  
in multiple sizes with maximum security, each with  
a five year warranty.



See all configurations on page 6

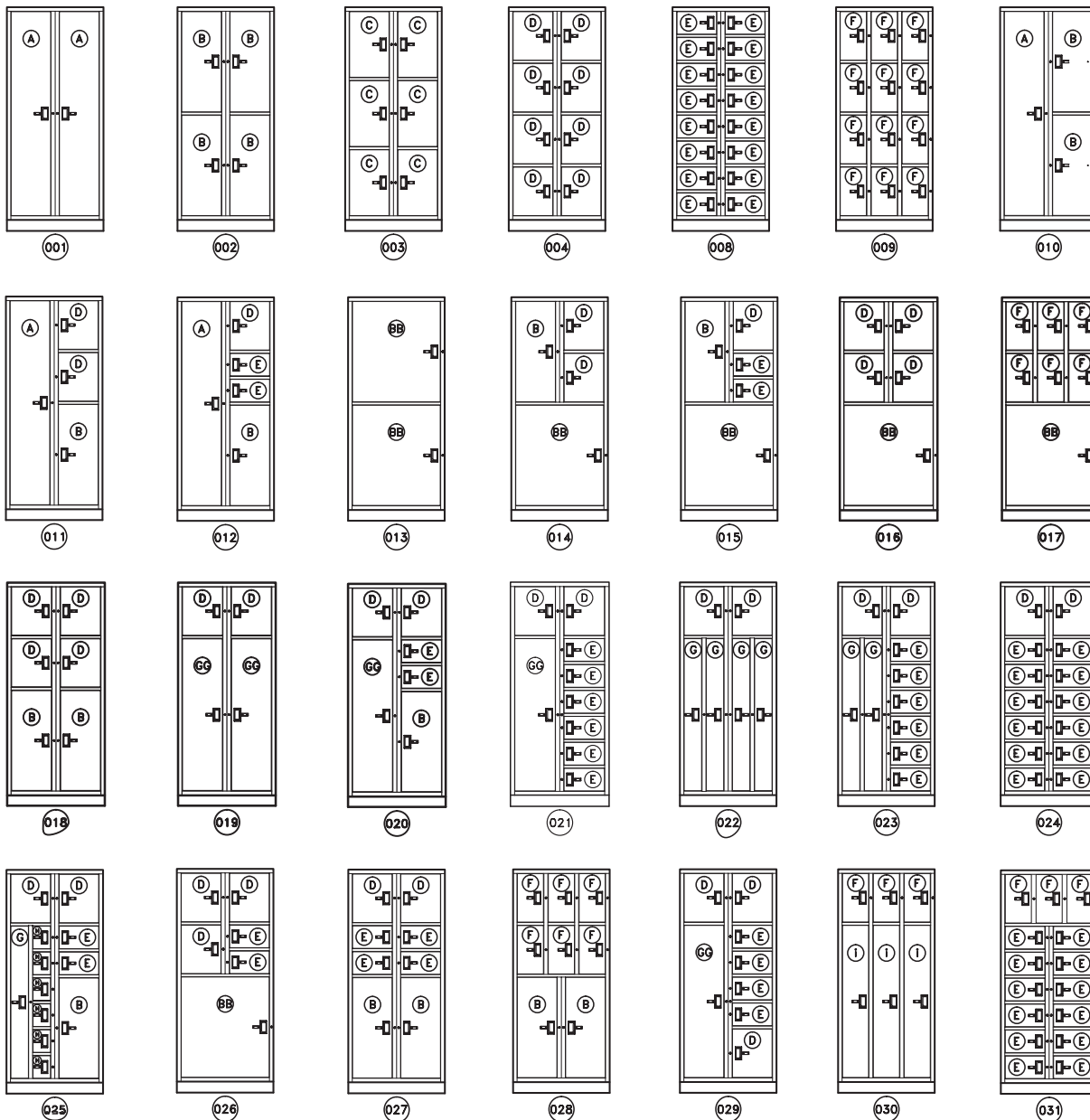
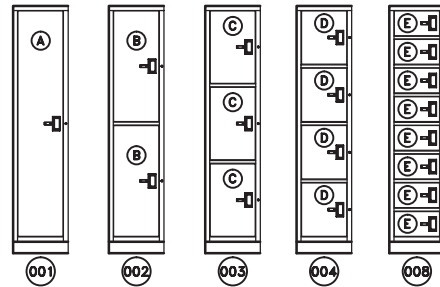
# EVIDENCE LOCKERS

Available configurations

## Door dimensions:

(36" x 78" basic configuration)

- |                      |                       |
|----------------------|-----------------------|
| A: 14-3/4" x 74-3/4" | F: 9-3/4" x 17-3/4"   |
| B: 14-3/4" x 36-3/4" | G: 6-1/2" x 55-3/4"   |
| C: 14-3/4" x 24-1/8" | H: 6-1/2" x 8-1/4"    |
| D: 14-3/4" x 17-3/4" | BB: 32-3/4" x 36-3/4" |
| E: 14-3/4" x 8-1/4"  | GG: 14-3/4" x 55-3/4" |





Our metal Evidence lockers are built for durability and efficiency. They provide security of stored items.



Package deposited and retrieved by responsible officer.

## Security

Protection and integrity in both our pass-thru and non pass-thru.



Rear access for collection of evidence

# GUN & RIFLE

LOCKERS



All our lockers are available in custom sizes, colors and configurations.



Gun compartment



Bullets and spray compartments



Gun locker



All-welded, vented-door lockers for guns and rifles



## BULLETPROOF VEST

LOCKERS

To securely store bulletproof vest in multiple vented drawer locker.

This 3 drawer locker can be stacked up to 4 high.

Size: 36 x 36 x 20½"



[www.montel.com](http://www.montel.com)  
1.877.935.0236